

# NEW ENGLAND SOUNDPROOFING

## INSTALLATION INSTRUCTIONS

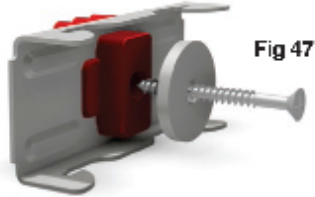


Fig 47

### Fire Rated Installation

On Fire Rated applications Resilmount Fire Washer must be installed as shown in (Fig 47, 48). If this washer is not installed the clip has no Fire Rating.

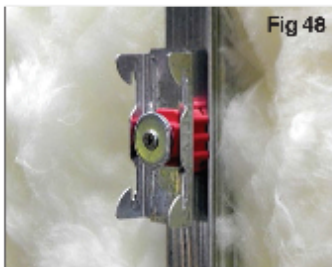


Fig 48

Space Resilmount A237H so as not to exceed 48" O.C. Secure clips with a single fastener through the middle screw hole in the clip. (Fig 49)



Fig 49

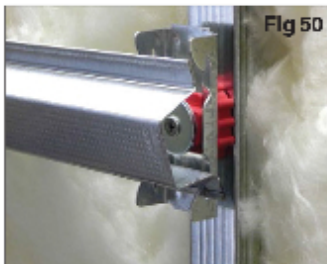


Fig 50

Snap hat channel onto Resilmount A237R. (Fig 50)

### Fasteners

- (A) Wood: #8 x 2-1/2" Coarse Threads
- (B) Steel: #8, #10 or #12 x 1-5/8" Self Tapping Type S
- (C) Concrete: 3/16" x 2-1/4" Anchor Screws

**DO NOT** fasten Resilmount clips to framing members with nails. Use only approved screws.

Fig 51



### Layouts for Studs at 16" O.C. with 1 or 2 layers of Gypsum Board

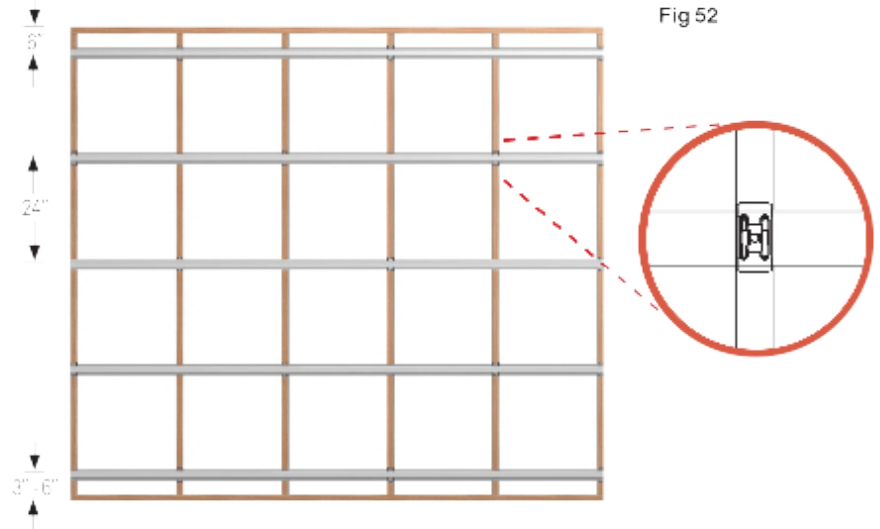


Fig 52

### Clip usage guide for walls and ceilings

Studs at 16" O.C. and Furring Channel at 24" O.C

Fig 53

		WIDTH									
		1' to 4'	5' to 8'	9' to 12'	13' to 16'	17' to 20'	21' to 24'	25' to 28'	28' to 32'	33' to 36'	37' to 40'
HEIGHT	1' to 2'	1	2	3	4	5	6	7	8	9	10
	3' to 4'	3	6	9	12	15	18	21	24	27	30
	5' to 6'	5	11	16	21	26	31	36	41	46	51
	7' to 8'	7	15	23	31	39	47	55	63	71	79
	9' to 10'	9	19	29	38	47	56	65	74	83	92
	11' to 12'	11	23	35	46	57	68	79	90	101	112
	13' to 14'	13	27	40	52	64	76	88	100	112	124
	15' to 16'	15	30	44	57	70	83	96	109	122	135
	17' to 18'	17	33	48	62	75	89	102	115	128	141
	19' to 20'	19	36	52	66	80	94	108	122	136	150
	21' to 22'	21	39	56	70	84	98	112	126	140	154
	23' to 24'	23	42	60	74	88	102	116	130	144	158
	25' to 26'	25	45	63	77	91	105	119	133	147	161
	27' to 28'	27	48	66	80	94	108	122	136	150	164
	29' to 30'	29	51	69	83	97	111	125	139	153	167
	31' to 32'	31	54	72	86	100	114	128	142	156	170
33' to 34'	33	57	75	89	103	117	131	145	159	173	
35' to 36'	35	60	78	92	106	120	134	148	162	176	
37' to 38'	37	63	81	95	109	123	137	151	165	179	
39' to 40'	39	66	84	98	112	126	140	154	168	182	

## FLOOR - CEILING ASSEMBLIES

**A237R**

Wood I-Joist with 1 layer of Type C Gypsum Wallboard

Fig 1

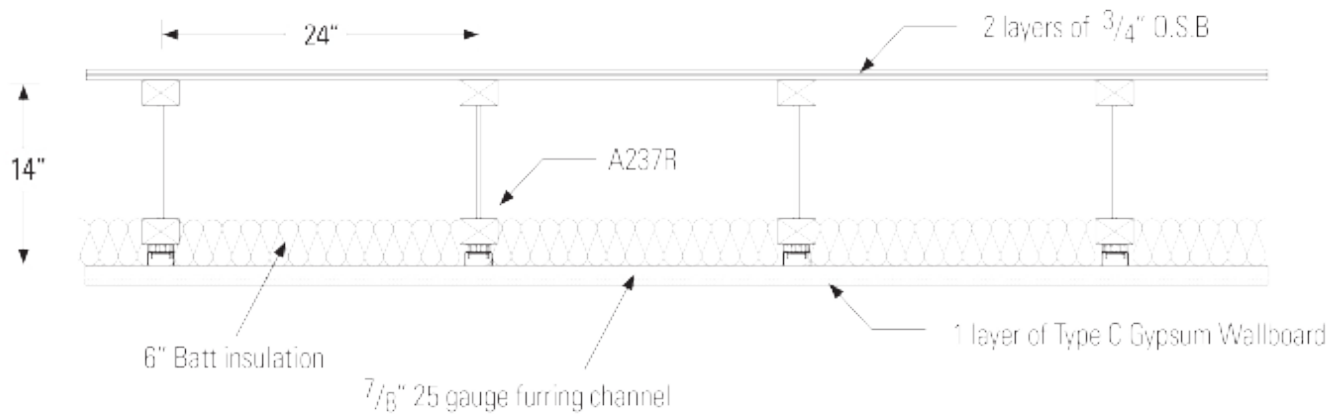


Fig 2

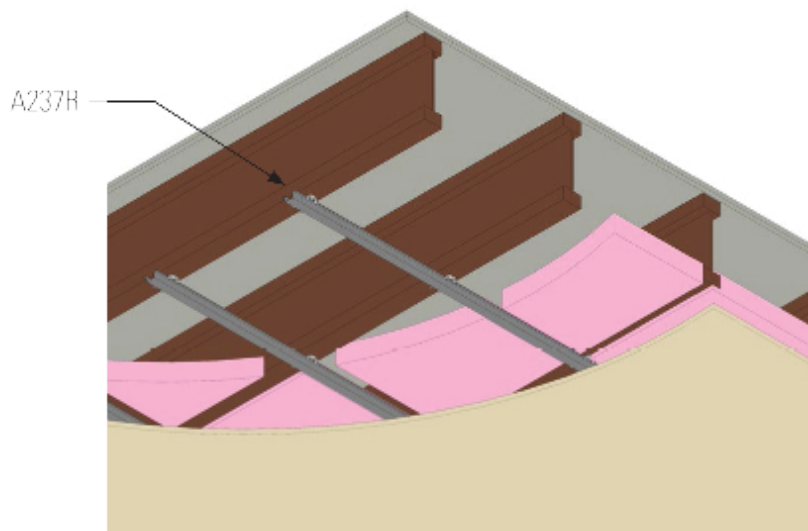
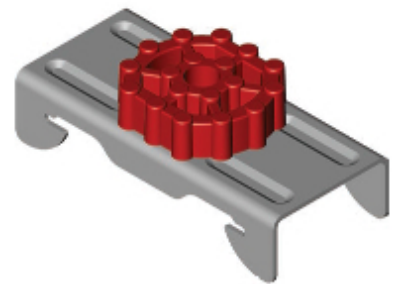


Fig 3



UL ASSEMBLY L518



RAL-N14-018 (IIC)  
RAL-TL14-270 (STC)

## FLOOR - CEILING ASSEMBLIES

**A237R**

Wood I-Joist with 2 layers of Type C Gypsum Wallboard

Fig 4

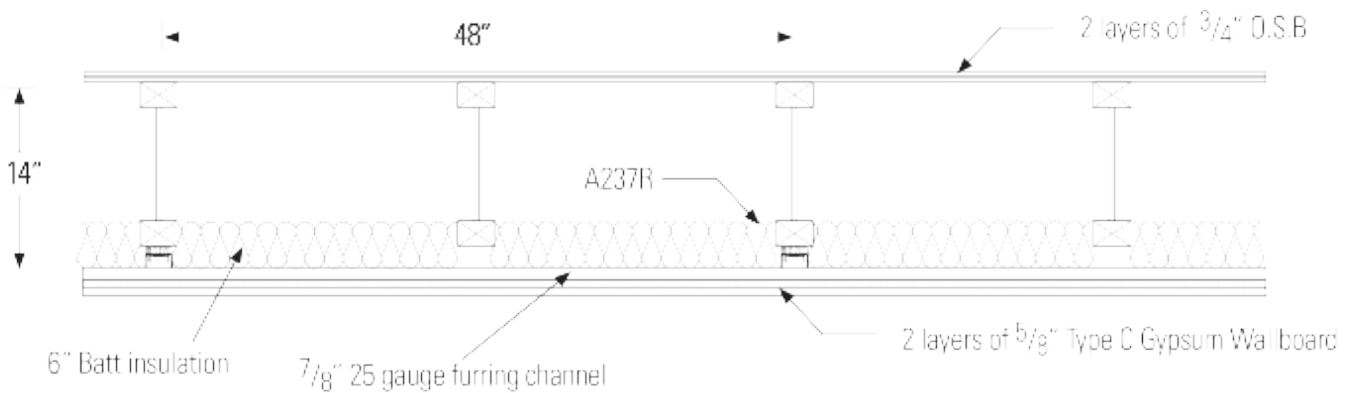


Fig 5

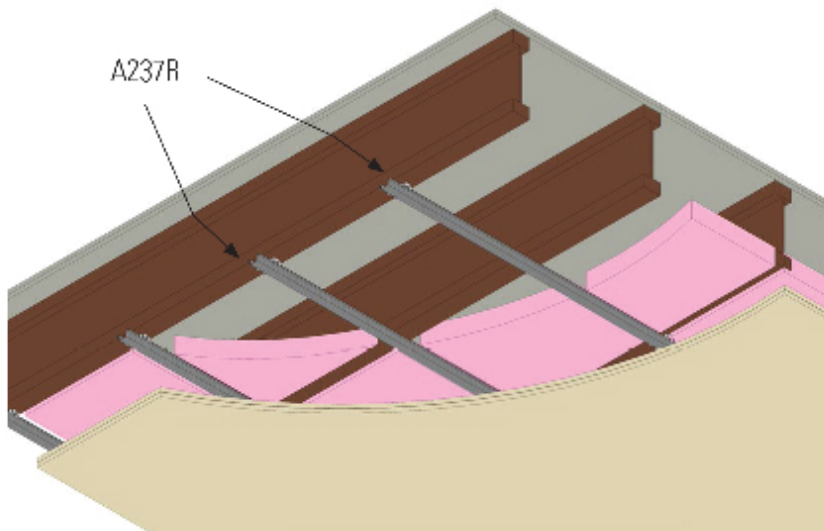
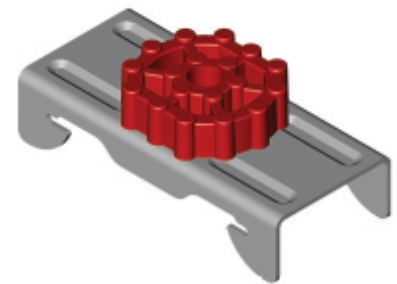


Fig 6



102091106SA1

RAL-IN14-019 (IIC)  
RAL-TL14-271 (STC)

## FLOOR - CEILING ASSEMBLIES

**A237R**

Wood I-Joist with 2 layers of Type C Gypsum Wallboard

Fig 7

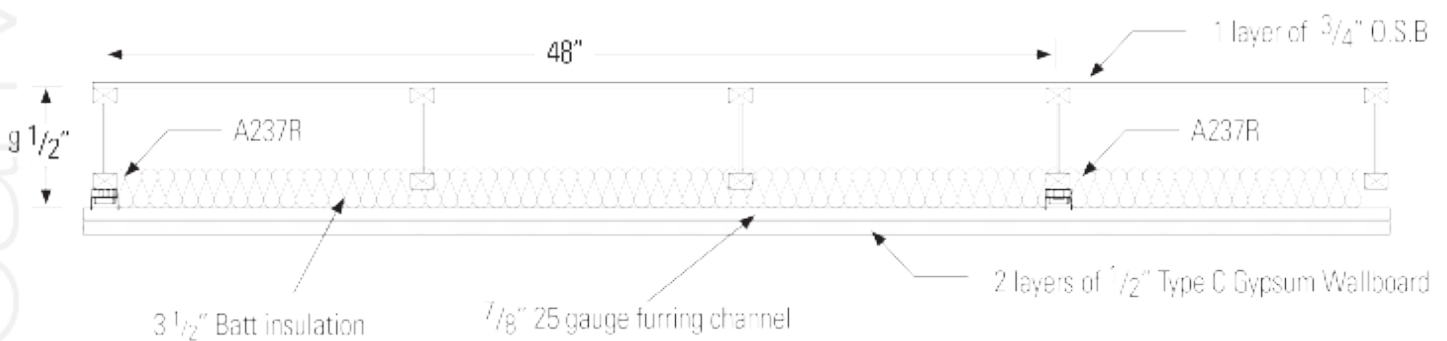


Fig 8

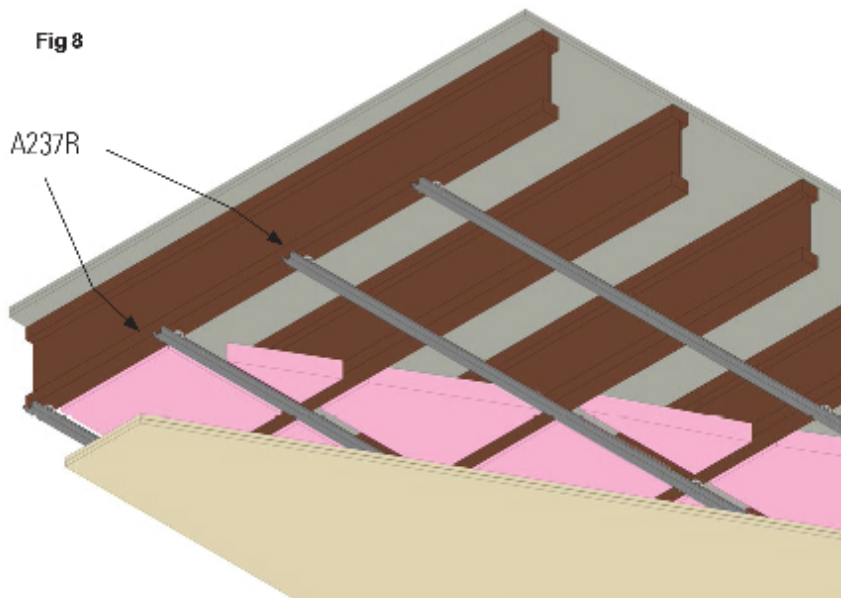
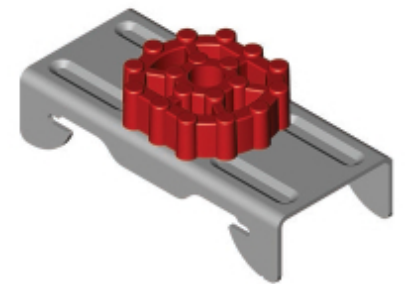


Fig 9



OPINION

102091106SAT

PKA ACOUSTIC CONSULTING

www.pka.com.au

## FLOOR - CEILING ASSEMBLIES

**A237R**

Wood I-Joist with 2 layers of Type C Gypsum Wallboard

Fig 7

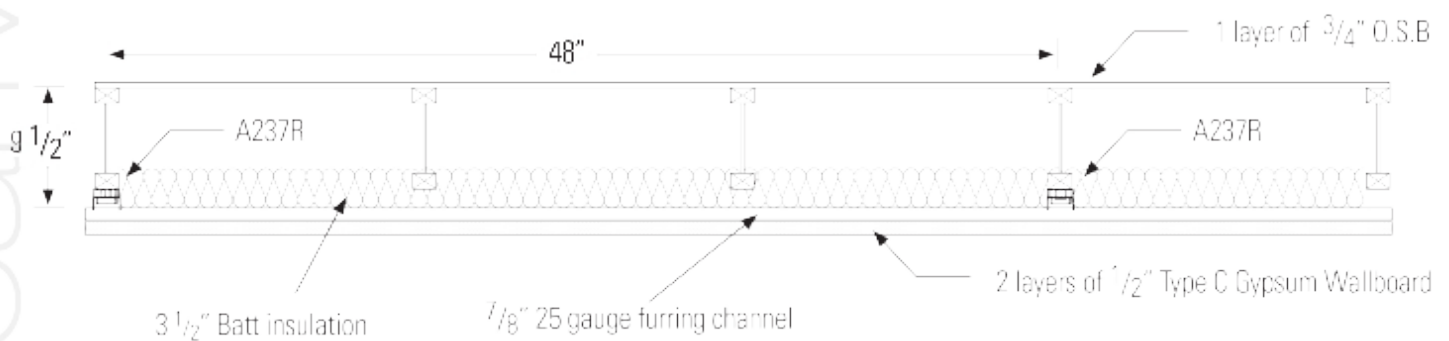


Fig 8

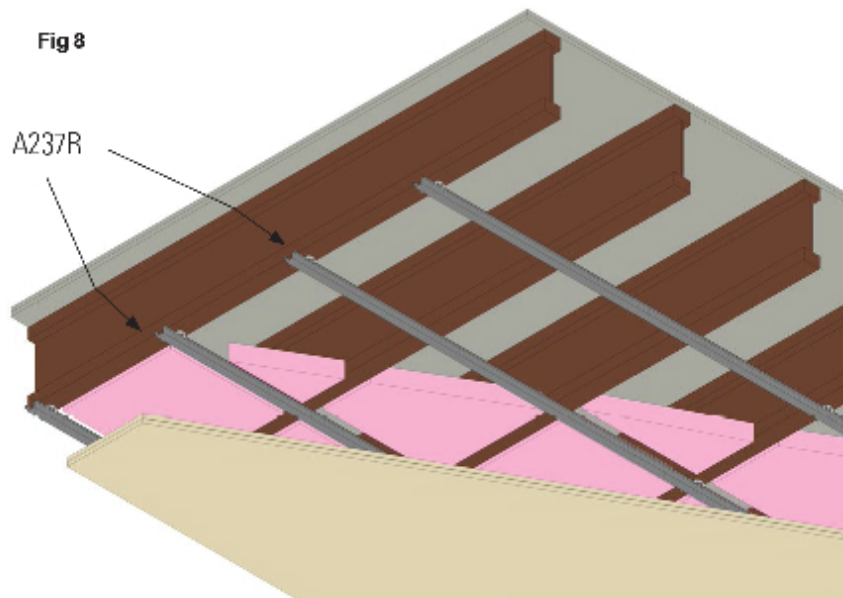
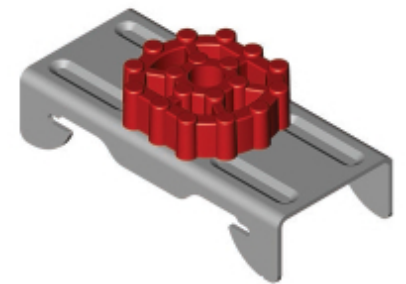


Fig 9



OPINION I.E.

102091106SAT

**PKA** ACOUSTIC CONSULTING

[www.pka.com.au](http://www.pka.com.au)

## FLOOR - CEILING ASSEMBLIES

**A237R**

Wood I-Joist with 2 layers of Type C Gypsum Wallboard

Fig 10

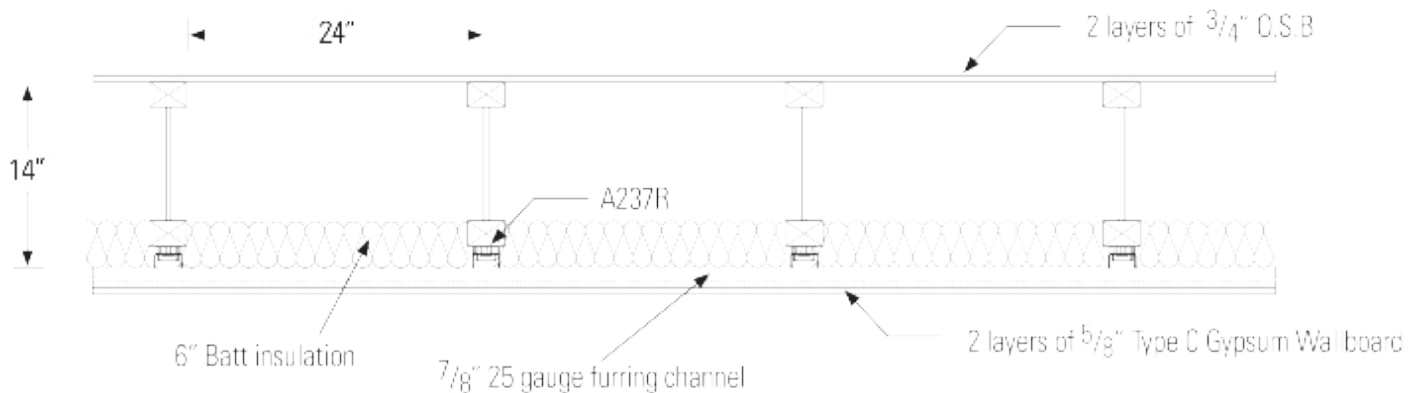


Fig 11

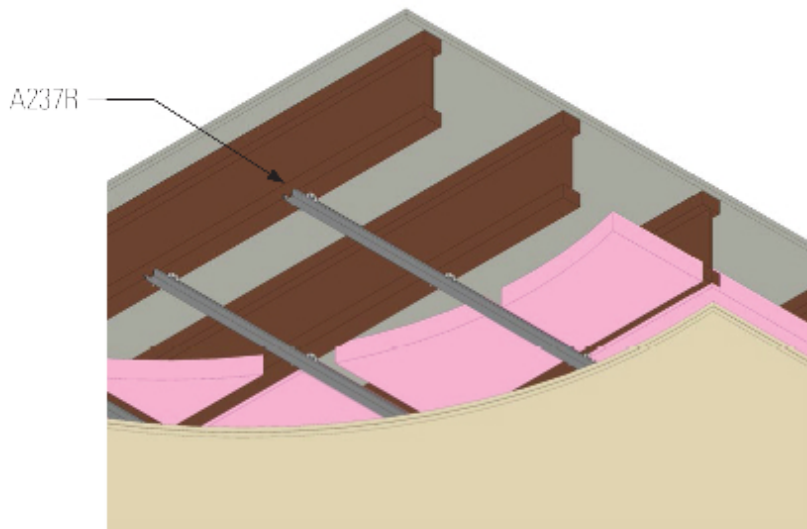
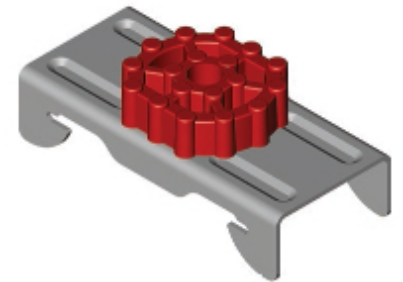


Fig 12



RAL-N14-019 (IIC)  
RAL-TL14-271 (STC)

## FLOOR - CEILING ASSEMBLIES

**A237R**

Open Web Wood Truss with 1 layer of Type C Gypsum Wallboard

Fig 13

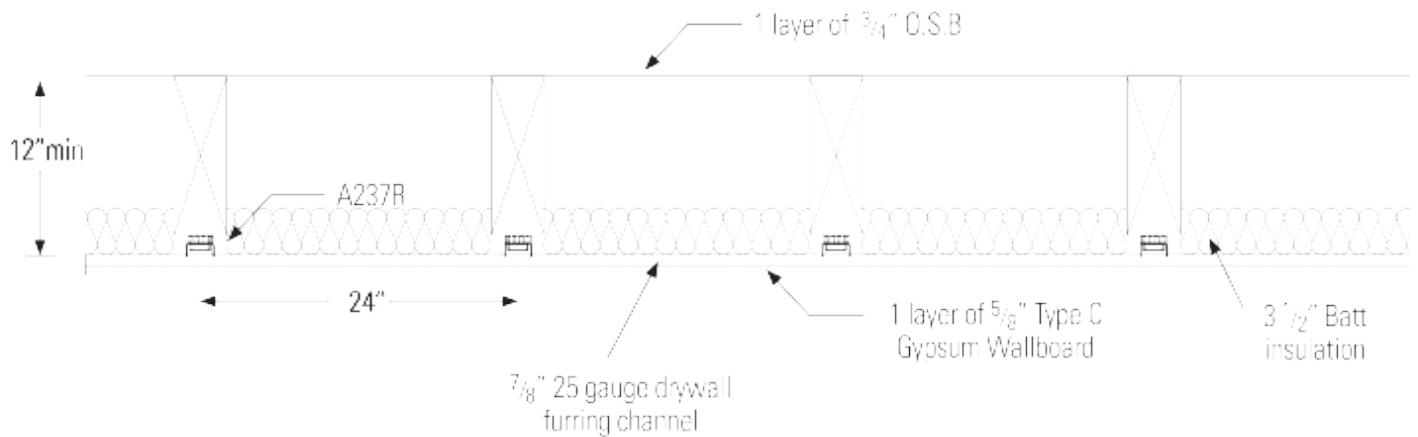


Fig 14

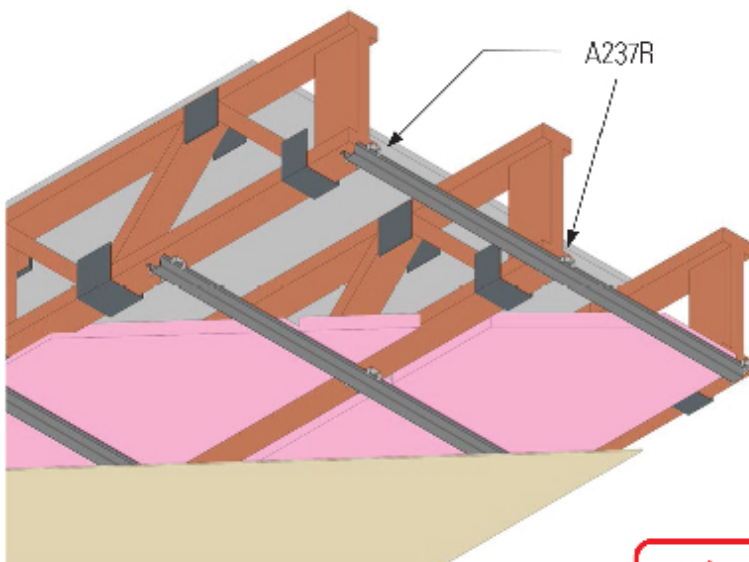
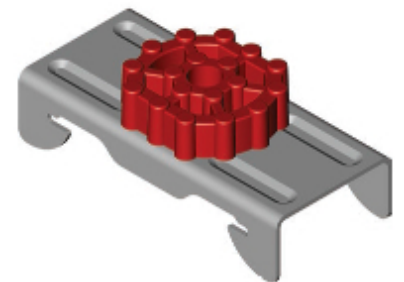


Fig 15



UL ASSEMBLY E528



OPINION E-2

**PKA** ACOUSTIC CONSULTING

www.pka.com.au

## FLOOR - CEILING ASSEMBLIES

**A237R**

Open Web Wood Truss with 1 layer of Type C Gypsum Wallboard

Fig 13

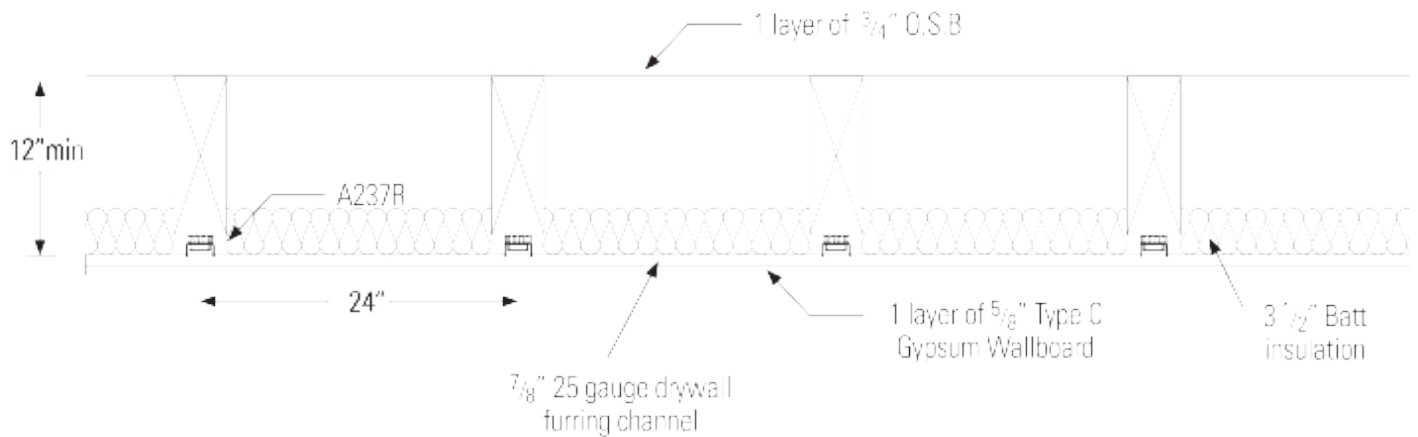


Fig 14

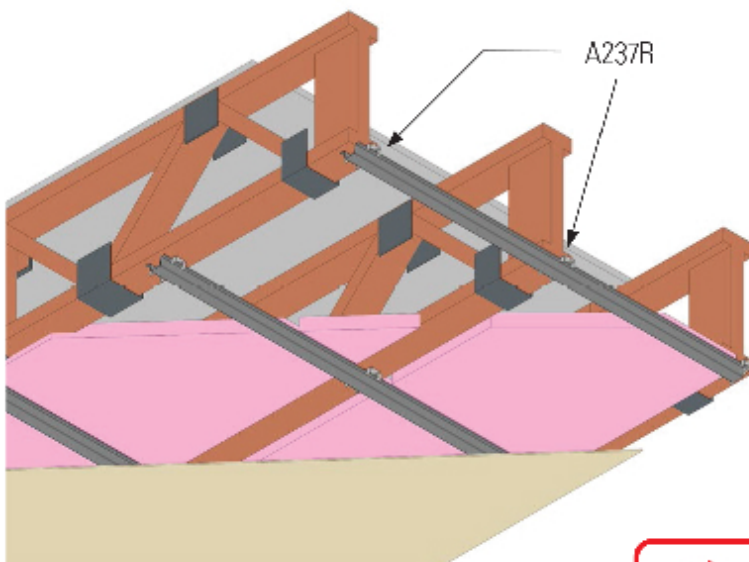
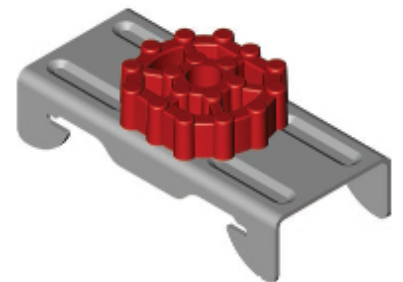


Fig 15



UL ASSEMBLY E528



OPINION E-2

**PKA** ACOUSTIC CONSULTING

[www.pka.com.au](http://www.pka.com.au)



## FLOOR - CEILING ASSEMBLIES

**A237R**

Open Web Wood Truss with 2 layers of Type C Gypsum Wallboard

Fig 16

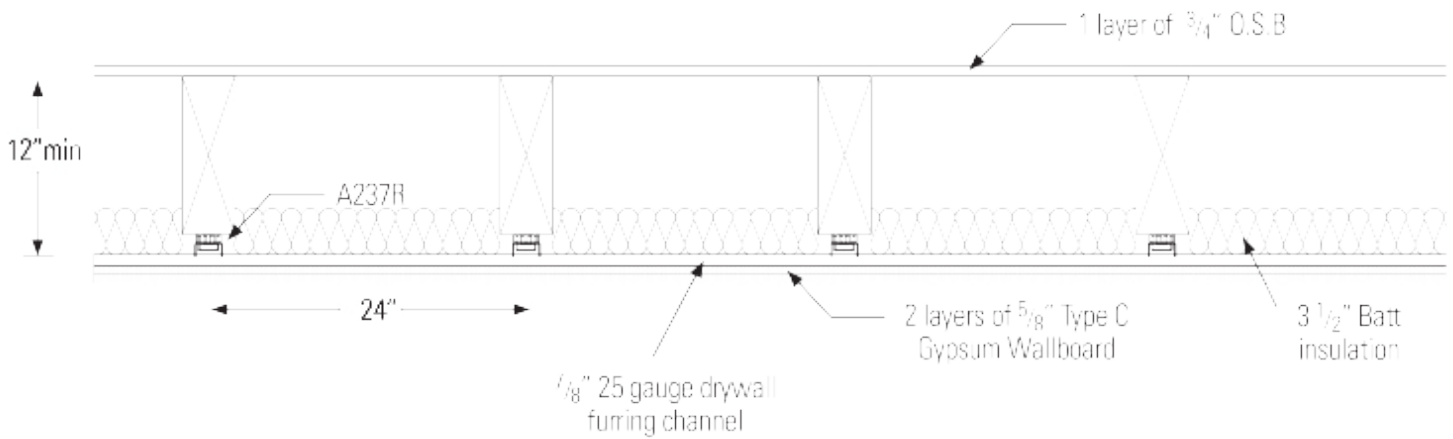


Fig 17

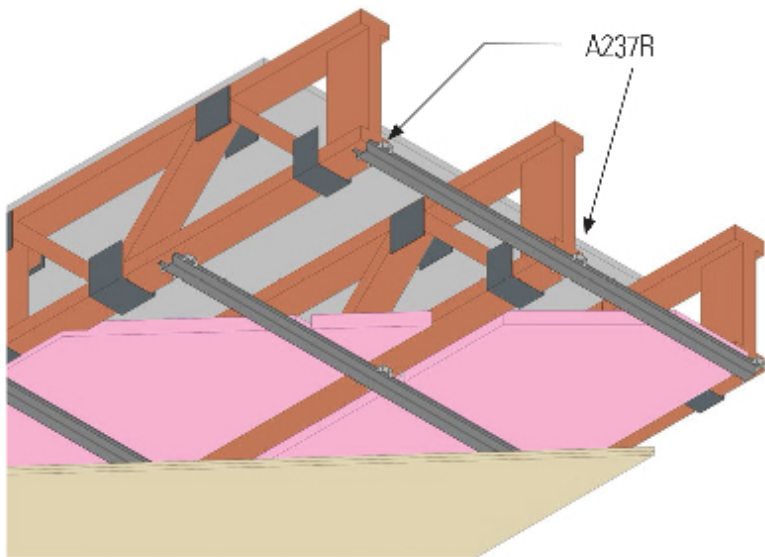
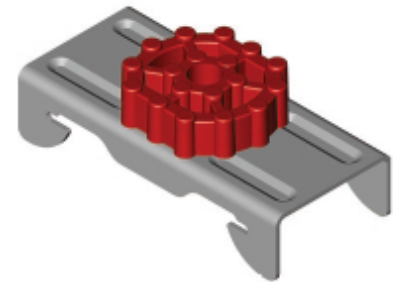


Fig 18



UL ASSEMBLY L506



OP NION 1-2

**PKA** ACOUSTIC CONSULTING

[www.pka.com.au](http://www.pka.com.au)

## FLOOR - CEILING ASSEMBLIES

**A237R**

10" Steel C Joist with 2 Layers of Type X Gypsum Wallboard

Fig 19

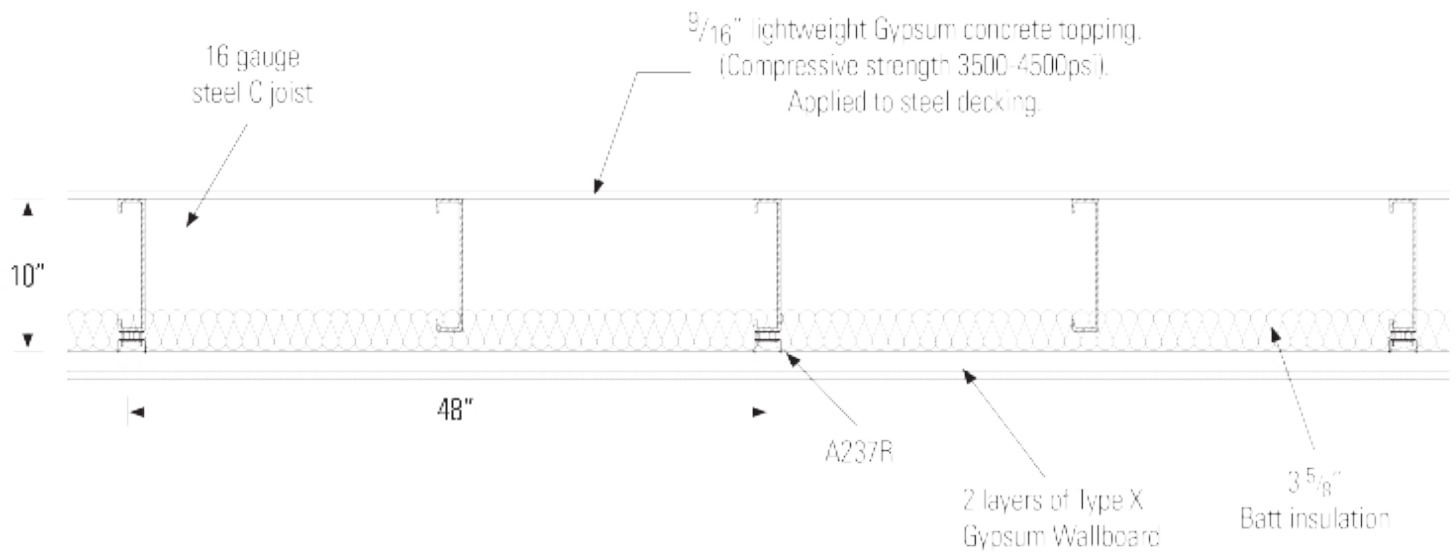


Fig 20

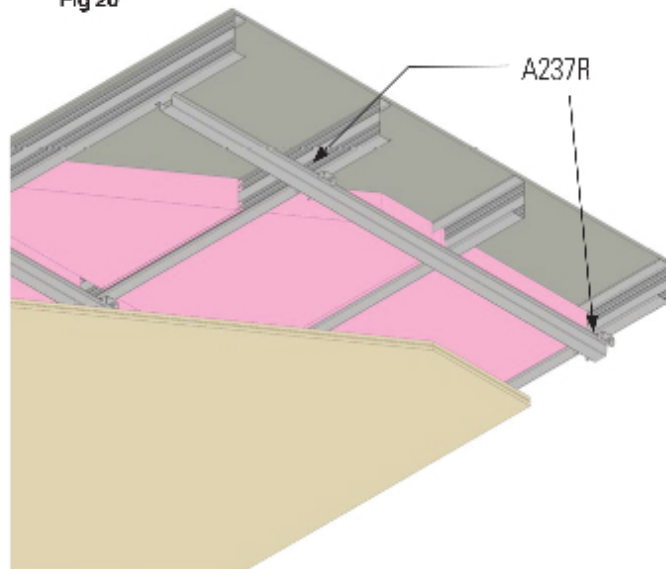
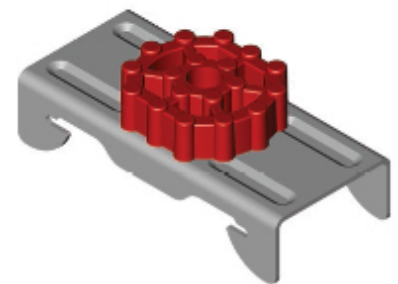


Fig 21



OPINION 12

3186856SAT 006B

PKA ACOUSTIC CONSULTING

www.pka.com.au

## FLOOR - CEILING ASSEMBLIES

**A237BR**

Steel Bar Joist with Normal Weight Concrete

Fig 22

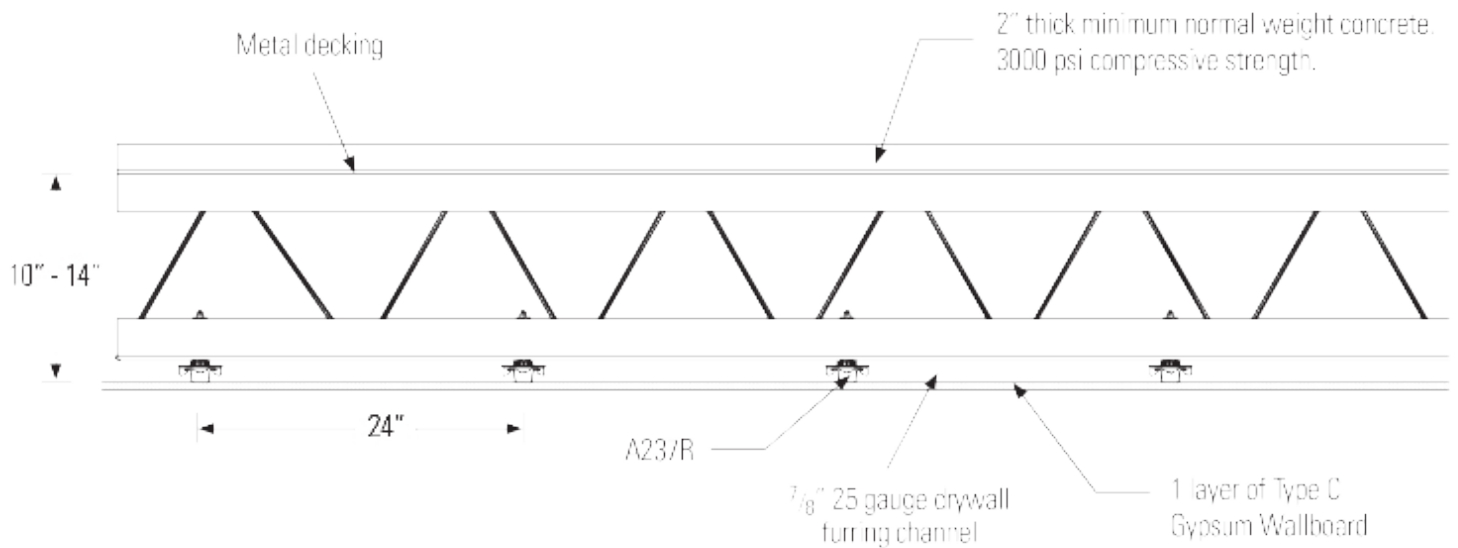
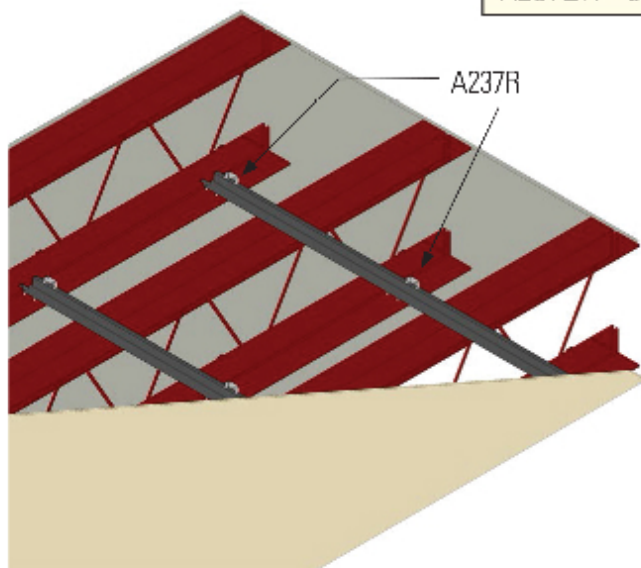


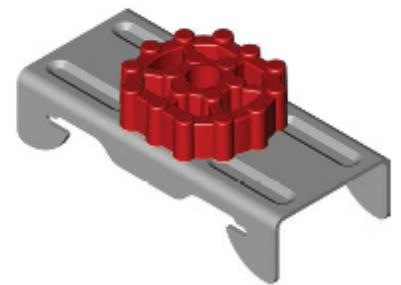
Fig 23



Bolt Length Cord

	Bolt Length	Cord
A237BR - 3	3"	1"
A237BR - 4	4"	2"
A237BR - 5	5"	3"

Fig 24



**Note:**

The addition of fiberglass insulation in the cavity can raise the performance to approximately STC 63.



## FLOOR - CEILING ASSEMBLIES

**A237CR**

6" Concrete Slab with 1 layer of Type C Gypsum Wallboard

Fig 25

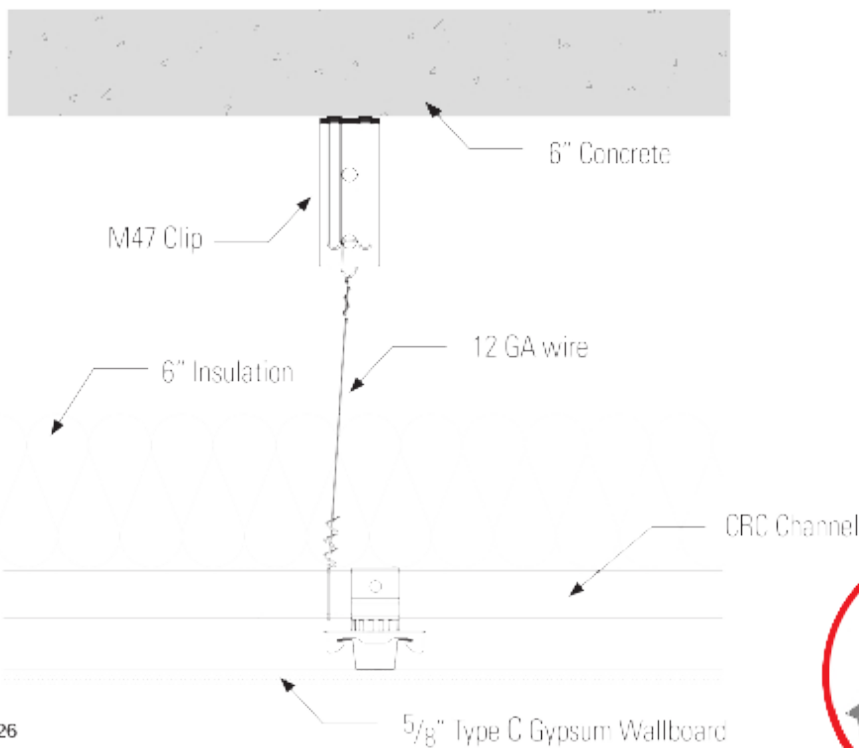


Fig 26

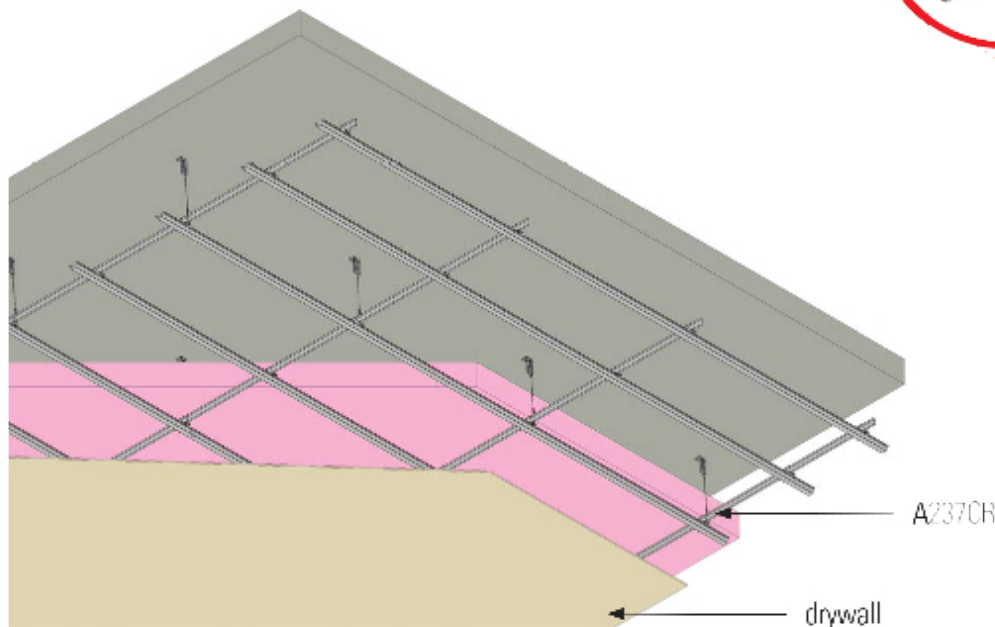
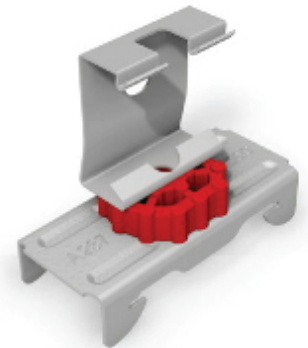
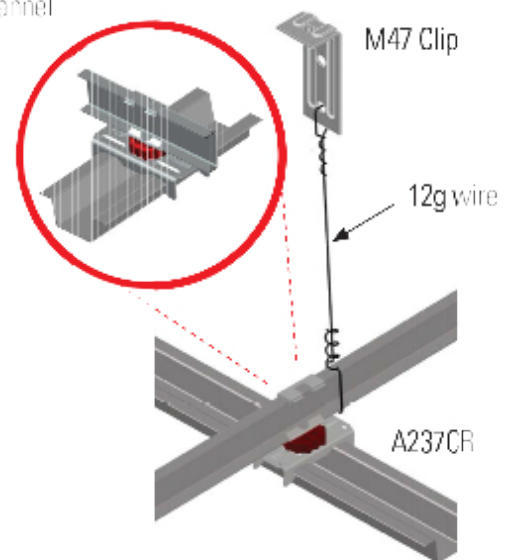


Fig 27



- Attaches to both 1 1/2" CRC and furring channel to decouple a dropped drywall ceiling.

Fig 28



STC 63  
IIC 63

RAL IN14-016 (IIC)  
RAL TL14-242 (STC)

## FLOOR - CEILING ASSEMBLIES

**A48R**

6" Concrete Slab with 1 layer of Type C Gypsum Wallboard

Fig 29

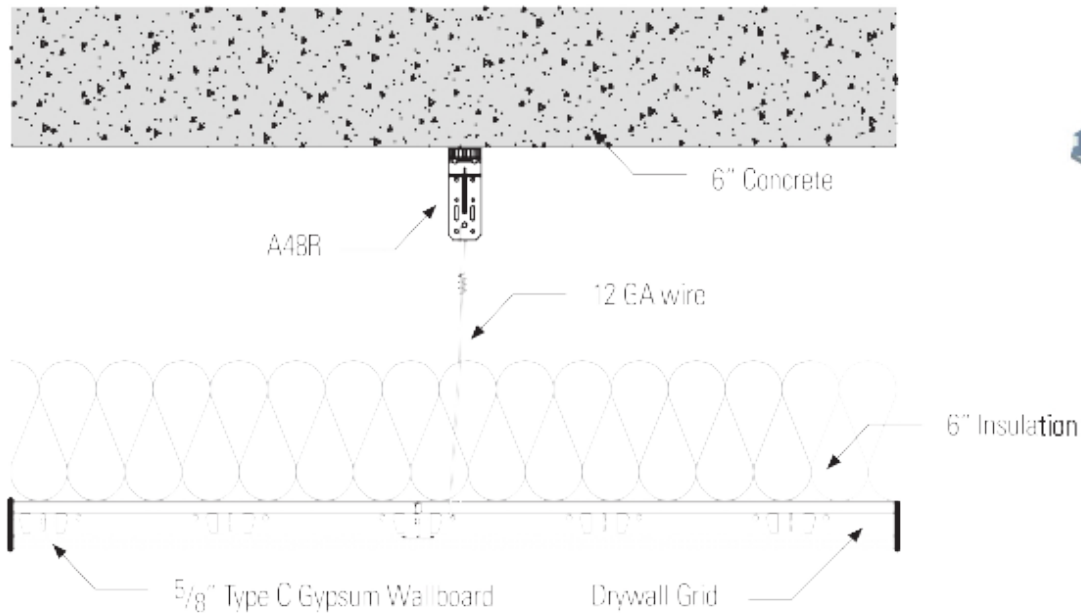
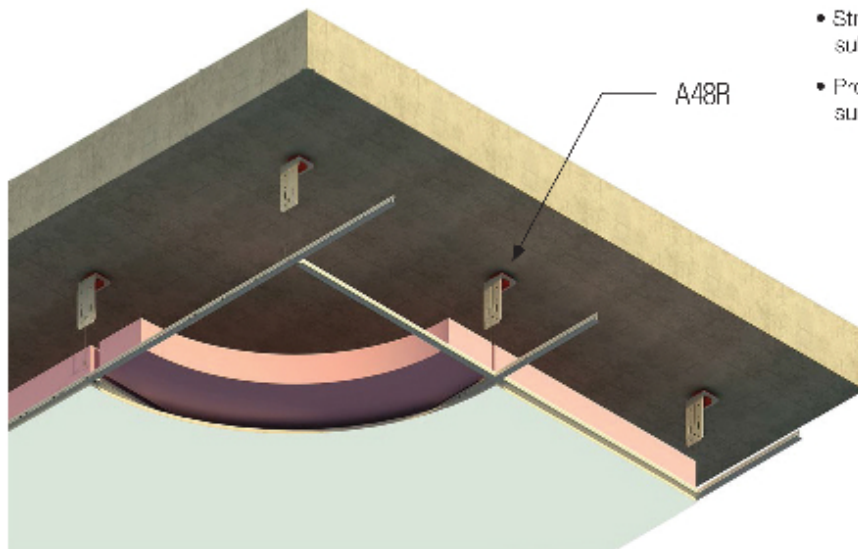


Fig 31



Fig 30



- Provided with 1/4" hole through for most common fixings.
- **Strong** 'column' design provides minimal contact area with substrate whilst maintaining maximum structural integrity.
- Provided with several 3/16" slotted holes in bracket surface, suitable for direct fastening applications.



RAL-IN14-012 (IIC)  
RAL-TL14-226 (STC)

## FLOOR - CEILING ASSEMBLIES

**A50R 1,2,3**

6" Concrete Slab with 1 layer of Type C Gypsum Wallboard

Fig 32

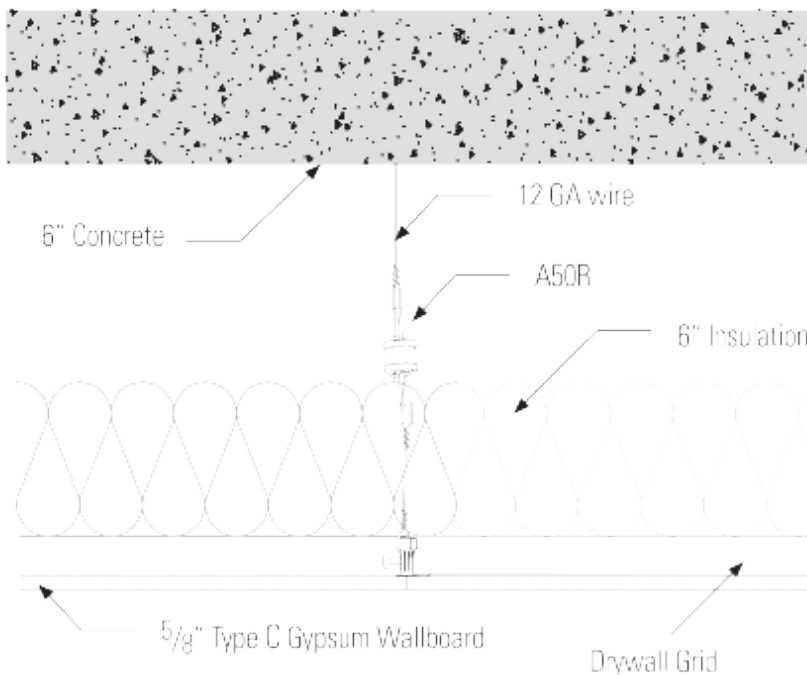


Fig 33

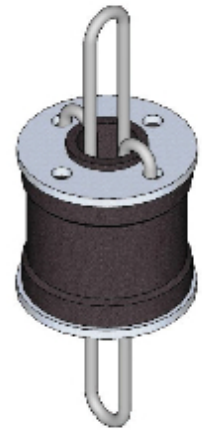


Fig 34



- Easily works with all hanger wire.
- Easy installation into new or existing ceiling systems.
- Acoustically tested for STC and IIC.
- Does not reduce the load capacity of the ceiling system.
- Suitably isolates the ceiling system from the structure to reduce structure and airborne noise.
- Elastomer Type: Natural Rubber.
- Load capacity: 65 Lbs.



RAL-IN14-014 (IIC)  
RAL-IL14-233 (STC)

## METAL STUD

**A237R**

with one layer of Type X Gypsum Wallboard

Fig 35 AS PER INTERTEK TEST

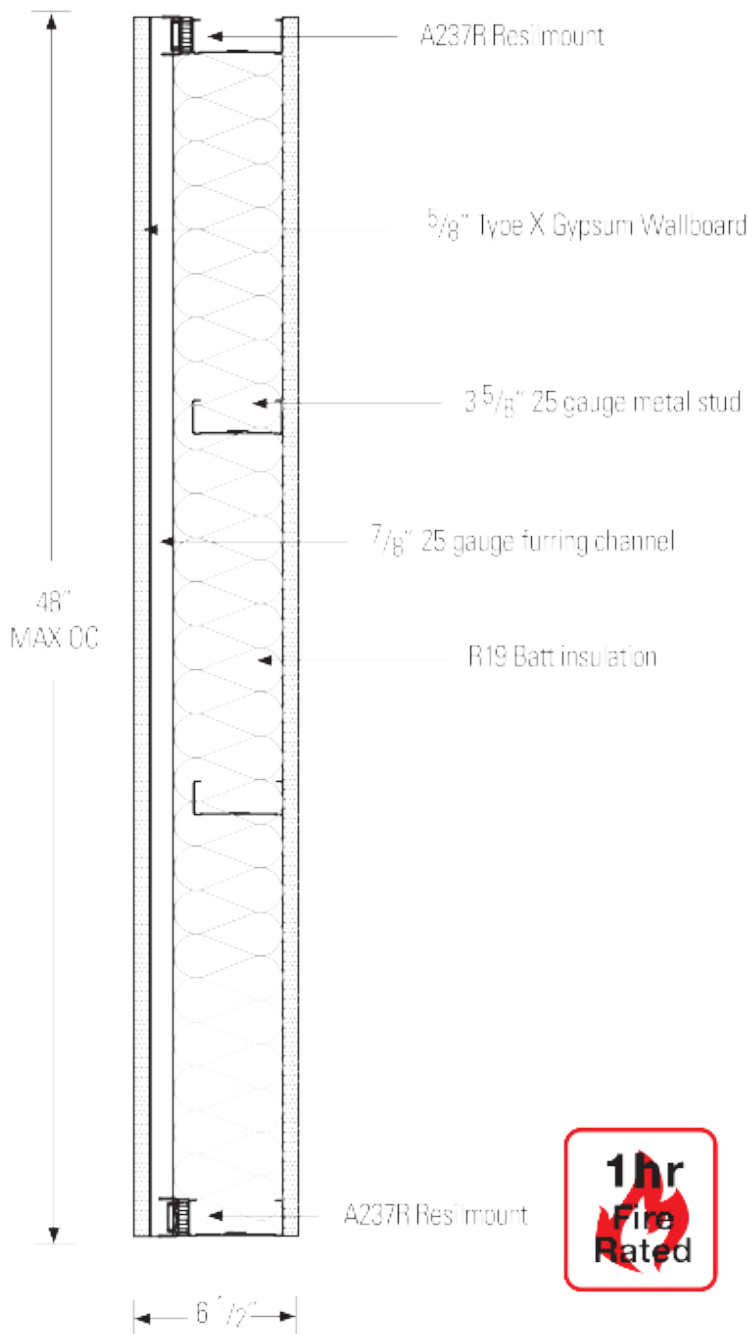


Fig 36

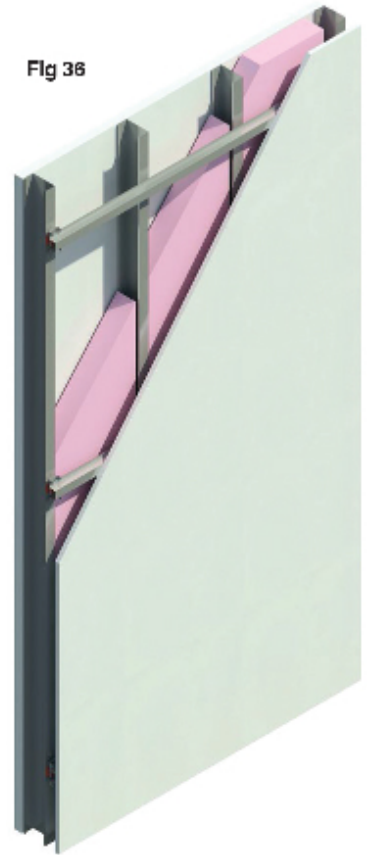
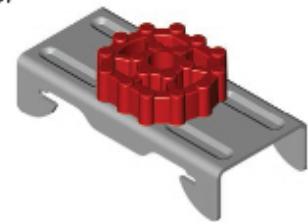


Fig 37



UL ASSEMBLY  
U419, U423



3186856SAT-003E



TL08-239

## METAL STUD

**A237R**

with two layers of Type X Gypsum Wallboard

Fig 38 AS PER INTERTEK TEST

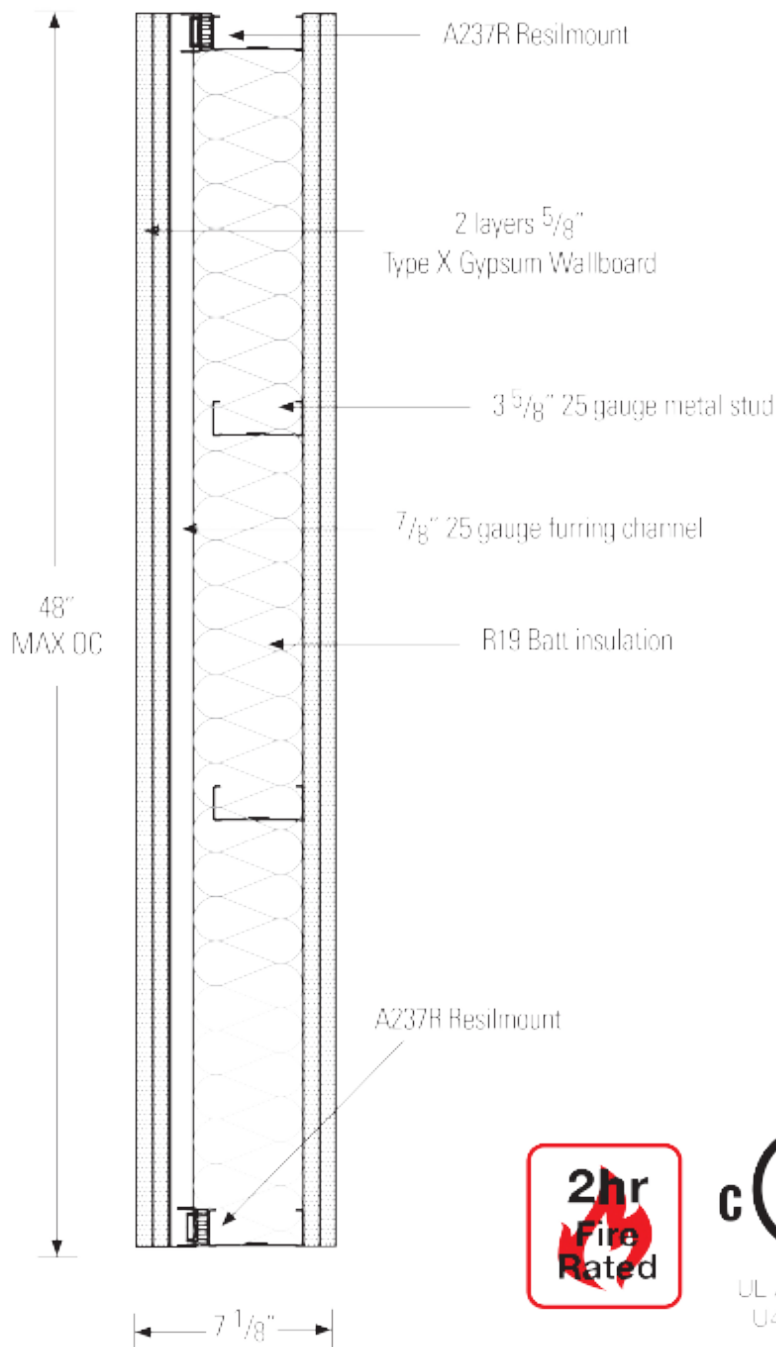


Fig 39

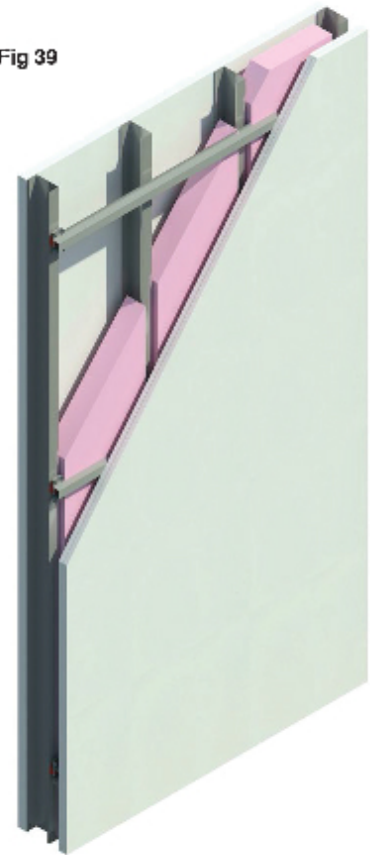
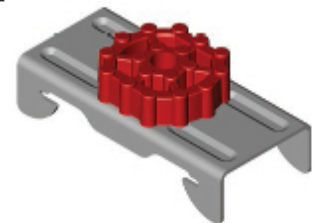


Fig 40



UL ASSEMBLY  
U419, U423



3186856SA1-003L



TL08-240



## WOOD STUD

**A237R**

with one layer of Type X Gypsum Wallboard

Fig 41 AS PER INTERTEK TEST

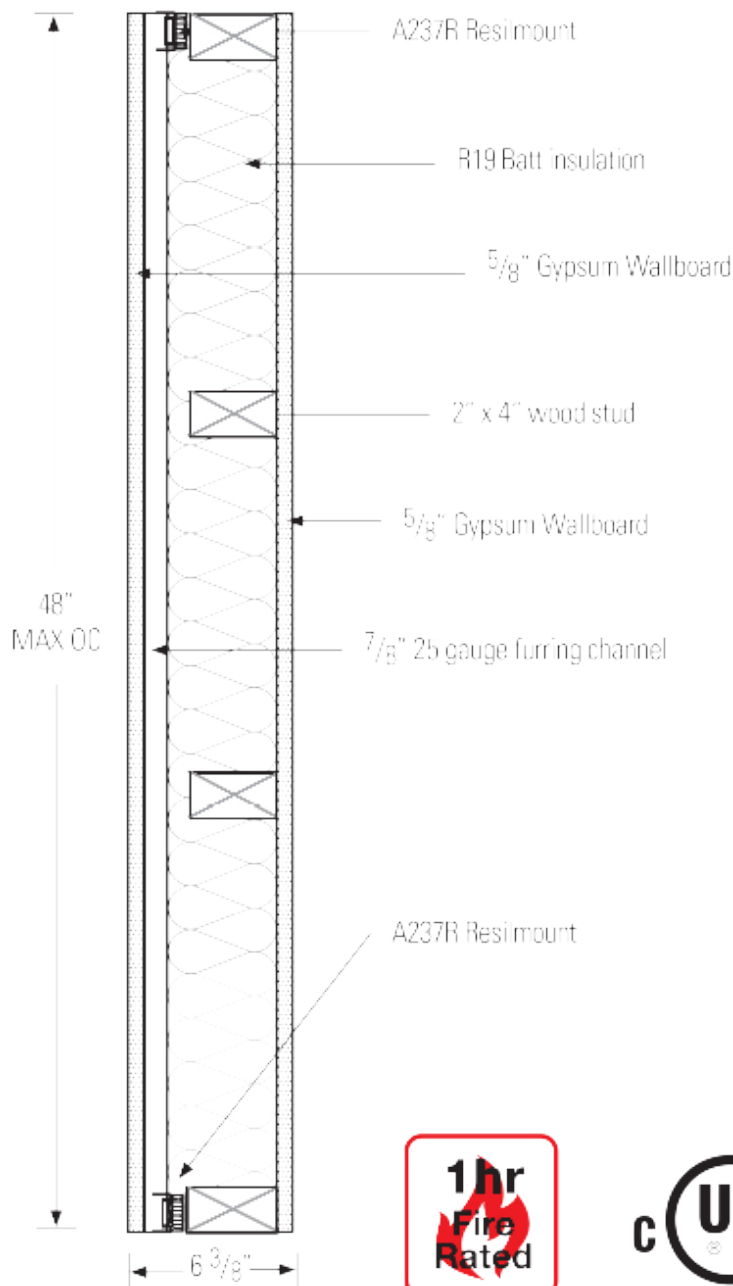
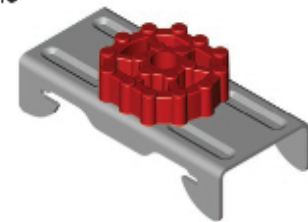


Fig 42



Fig 43



UL ASSEMBLY U305



3186856SAT-006A



RAL-TL08-237

## WOOD STUD

**A237R**

with two layers of Type X Gypsum Wallboard

Fig 44 AS PER INTERTEK TEST

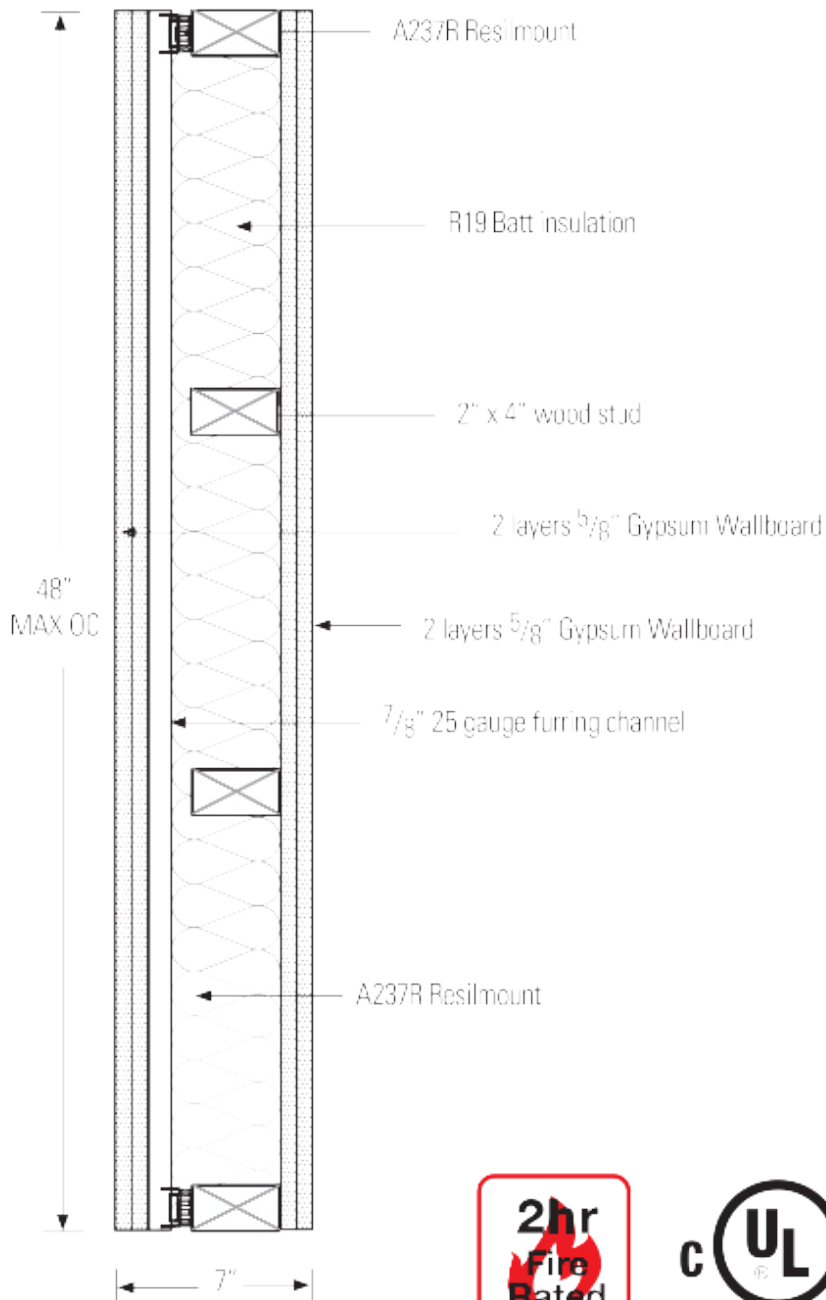


Fig 45

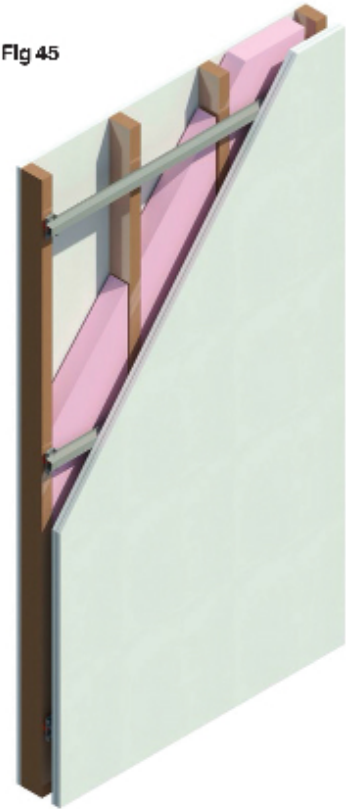
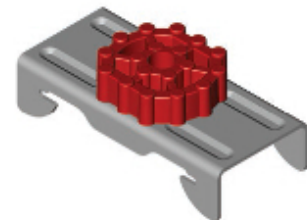


Fig 46



UL ASSEMBLY U305



3186856SAT-006A



RAI-TL08-238